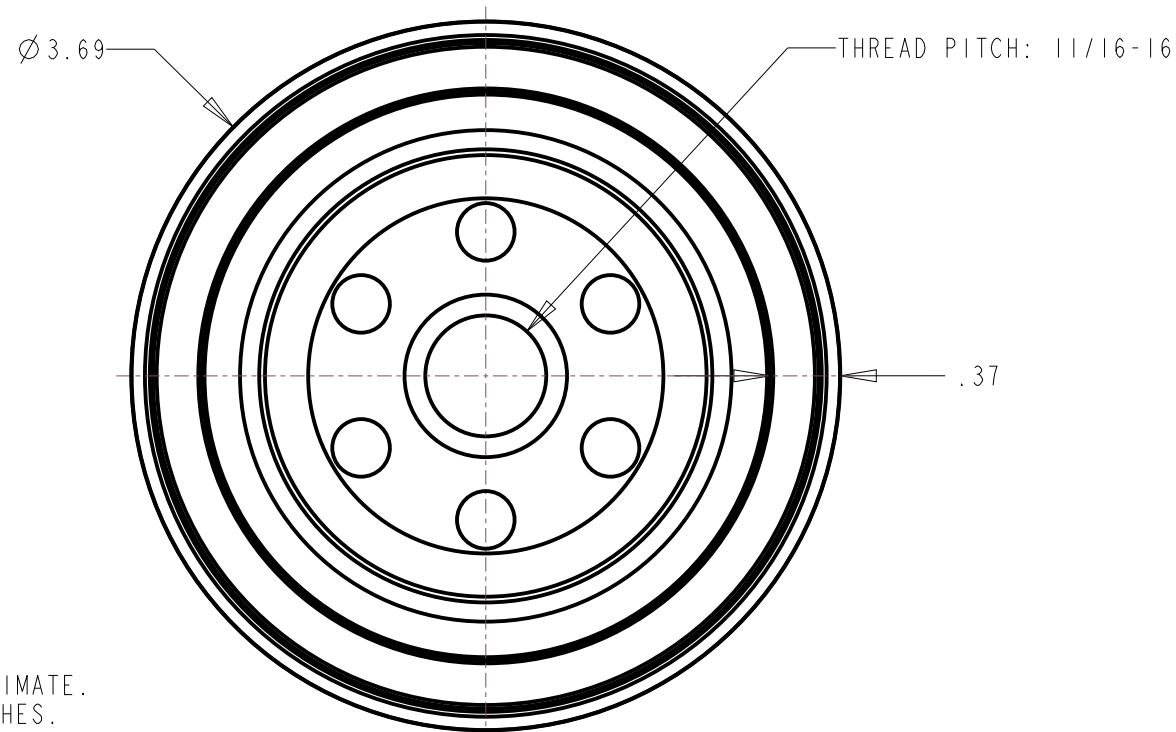
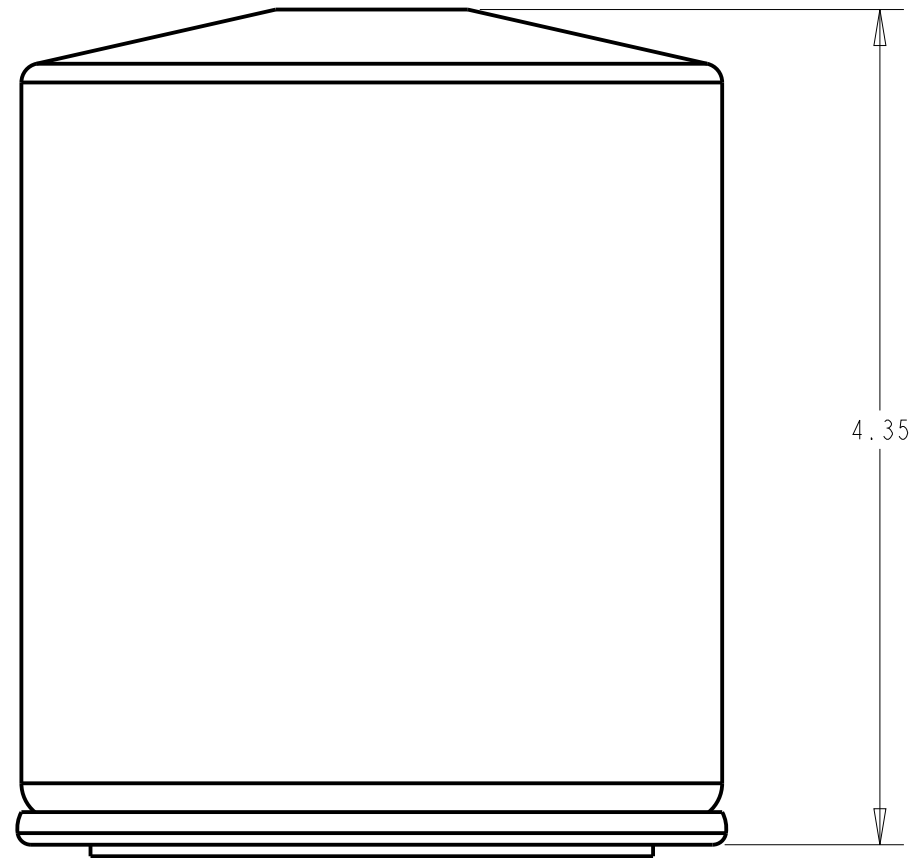


Item#	Part Number	Description	Qty
-	-	-	-



- NOTES:
1. ALL DIMENSIONS ARE APPROXIMATE.
 2. ALL DIMENSIONS ARE IN INCHES.
 3. RATING: 10 MICRON
 4. CANISTER EPOXY COATED INSIDE.

A	New Drawing	8/30/2022	B. Maulding
Rev.	Description	Date	Approval
Dometic		ALL DIMENSIONS ARE IN INCHES UNLESS OTHERWISE SPECIFIED.	
Title: Fuel Water Separator		Part#: 118-7945	
Drawn By: Shad Schoen		Date: 8/30/2022	